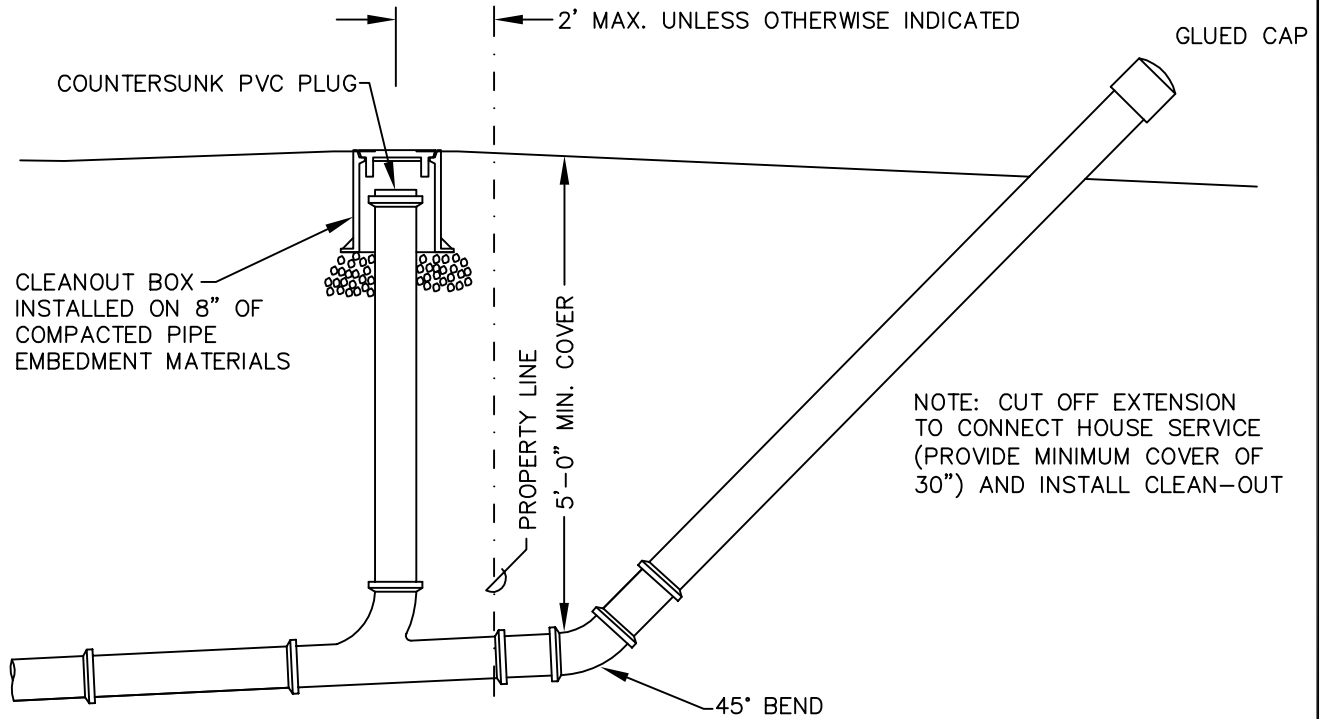


NOTES:

1. WYE CONNECTIONS ARE STANDARD FOR NEW SEWER MAIN CONSTRUCTION.
2. FORCE MAINS CARRYING DOMESTIC WASTEWATER FROM SANITARY CONVENIENCES WITHIN A SINGLE BUILDING, MAY BE CONNECTED TO A 4" MSD GRAVITY SERVICE LINE PROVIDED THAT GRAVITY FLOW WILL BE MAINTAINED DURING PROPOSED MAXIMUM DISCHARGE RATE FOR THE GRINDER OR EFFLUENT PUMP(S).
3. WHERE COVER IS LESS THAN 3 FT. DUCTILE IRON MUST BE USED.
4. WHERE DUCTILE IRON IS REQUIRED RISER MAY BE CONSTRUCTED WITH SCH. 40 PVC



CONNECT TO EXISTING SEWER SERVICE WITH APPROVED "COUPLING" OR INSTALL PVC PLUG FOR FUTURE SERVICE. WHEN REQUIRED BACKFLOW VALVES SHALL BE INSTALLED ON PORTION OF LATERAL TO BE MAINTAINED BY PROPERTY OWNER.

SEE DETAIL 2.07-03 FOR ADDITIONAL NOTES

<b>STANDARD DETAIL</b>	
<b>Metropolitan Sewerage District</b> of Buncombe County, North Carolina	
<b>SANITARY SEWER SERVICE</b> MORE THAN 5' DEEP	
APPROVED: FEBRUARY 25, 2010	2.07-04