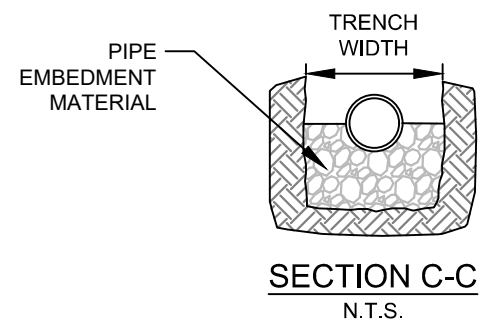
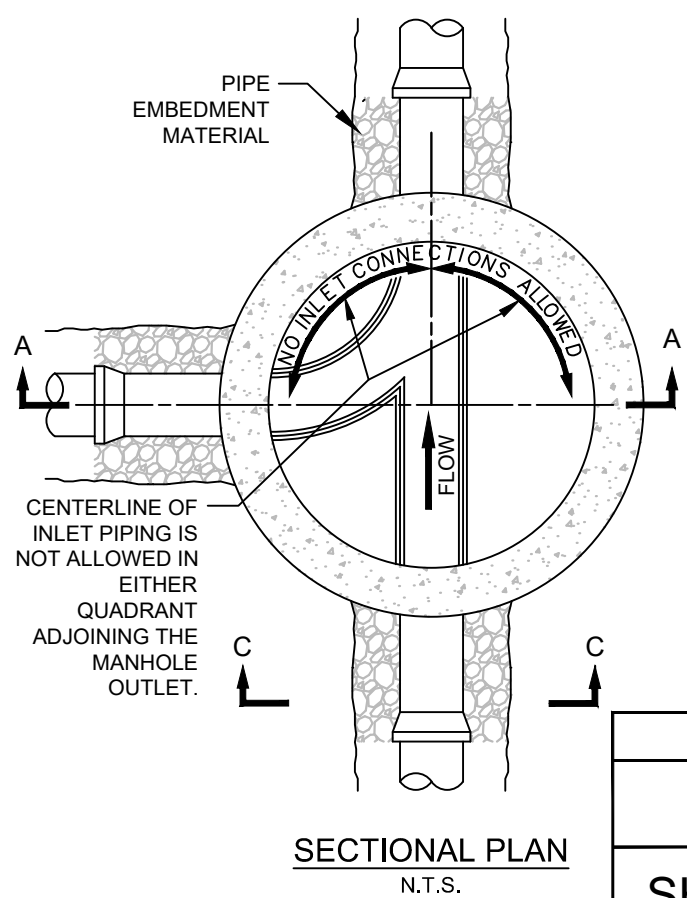
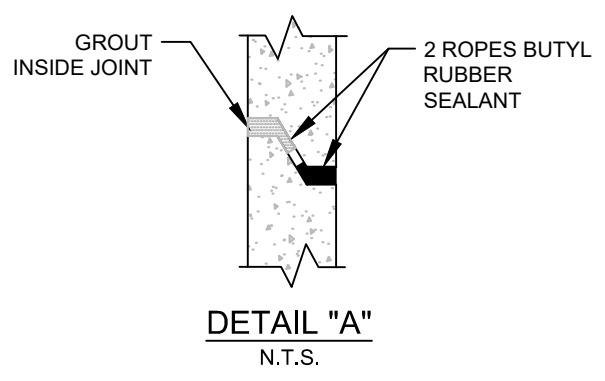


*SIZE OF BASE MAY NOT PERMIT BOOT IN WHICH CASE NON-SHRINK GROUT SHALL BE USED TO MAKE CONNECTION -REFER TO NOTE AT UPPER RIGHT



STANDARD DETAIL	
Metropolitan Sewerage District of Buncombe County, North Carolina	
SHALLOW MANHOLE TYPE I	
DATE APPROVED: MARCH 2017	2.11 - 02