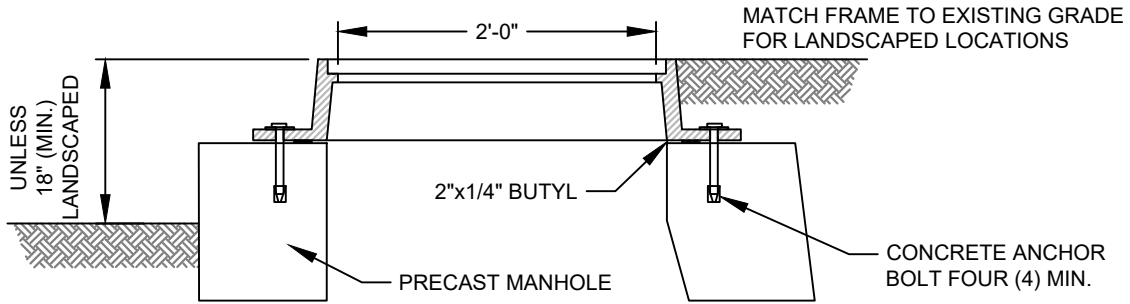
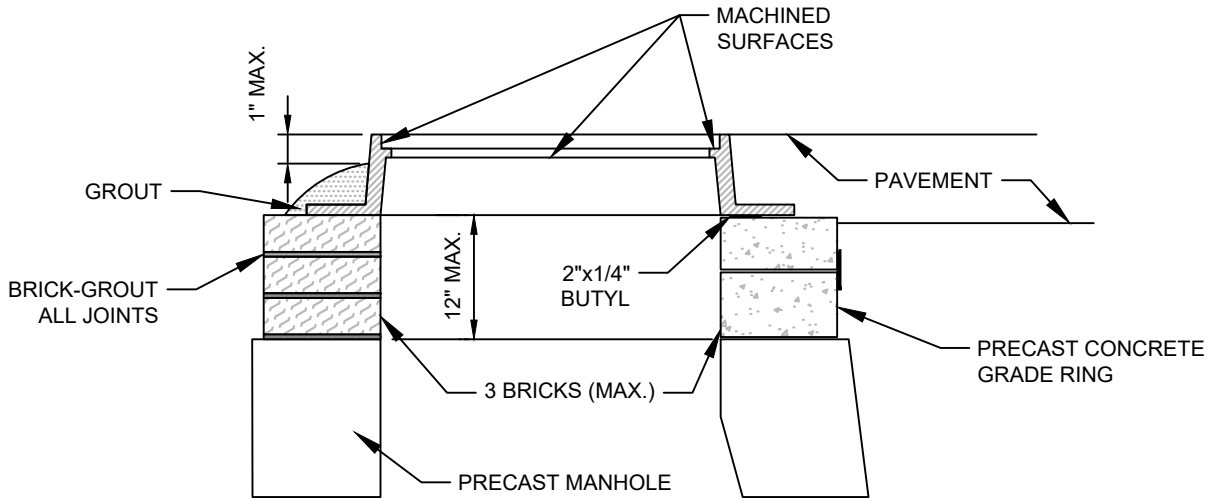


COVER
N.T.S

STANDARD RING AND COVER
N.T.S



FRAME SET IN NON-ROADWAY LOCATION
N.T.S



FRAME SET IN ROADWAY LOCATION
N.T.S

NOTE:

1. WHERE M.H. IS IN ROAD SHOULDER AND ROAD DOES NOT HAVE CURB AND GUTTER, DO NOT USE ANCHOR BOLTS IN FRAME.
2. "MSD OF BUNCOMBE COUNTY" TO APPEAR ON COVERS ONLY WHEN THE SEWER SYSTEM IS TO BE MAINTAINED BY MSD

STANDARD DETAIL	
Metropolitan Sewerage District of Buncombe County, North Carolina	
STANDARD MANHOLE FRAME & COVER	
DATE APPROVED: MARCH 2017	2.11 - 08.1