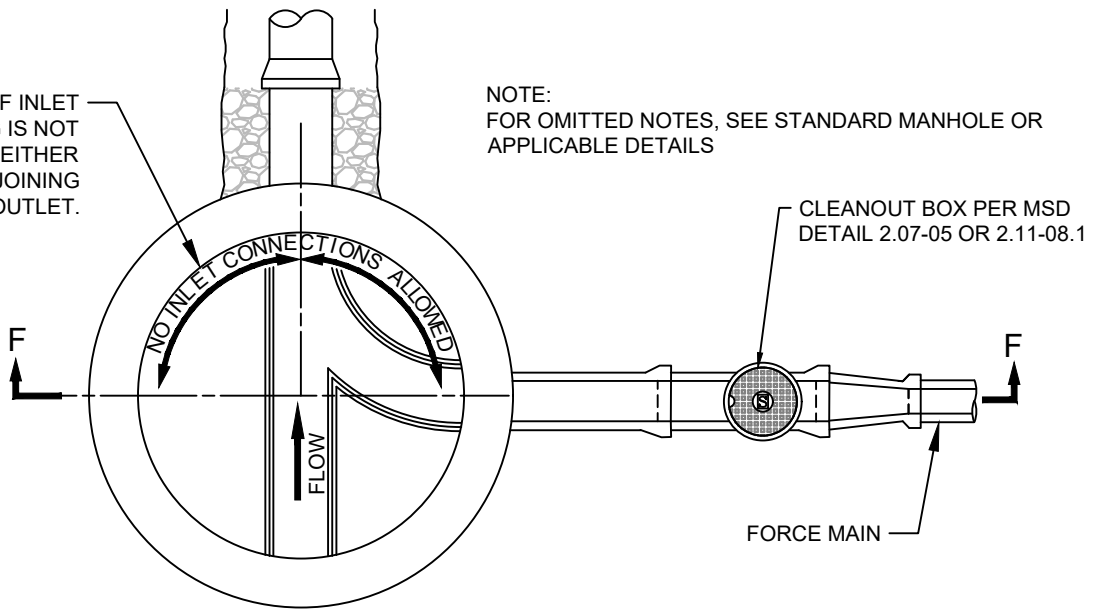


CENTERLINE OF INLET PIPING IS NOT ALLOWED IN EITHER QUADRANT ADJOINING THE MANHOLE OUTLET.

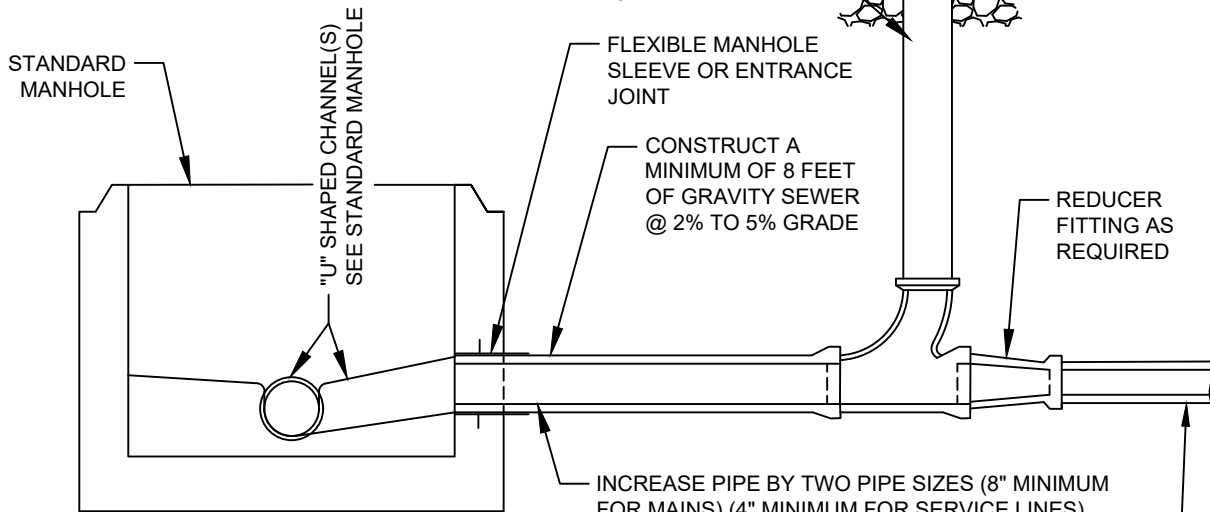
NOTE:  
FOR OMITTED NOTES, SEE STANDARD MANHOLE OR APPLICABLE DETAILS



**SECTIONAL PLAN**

N.T.S.

CLEANOUT SIZE TO MATCH GRAVITY MAIN.  
FOR CLEANOUTS  $\geq 8"$ , USE MSD MANHOLE FRAME & COVER ON TOP OF 16" PRECAST MANHOLE RISER



**SECTION F-F**

N.T.S.

INCREASE PIPE BY TWO PIPE SIZES (8" MINIMUM FOR MAINS) (4" MINIMUM FOR SERVICE LINES) CONSTRUCT C.O. FOR SERVICE LINES PER APPLICABLE DETAILS

FORCE MAIN DIAMETER AND MATERIAL TO BE DESIGNED BY A REGISTERED PROFESSIONAL ENGINEER AND IS IN CONFORMANCE TO APPLICABLE STATE BUILDING AND PLUMBING CODES.

NOTE:  
ALSO SEE SANITARY SEWER SERVICE DETAIL

<b>STANDARD DETAIL</b>	
Metropolitan Sewerage District of Buncombe County, North Carolina	
<b>TYPE I FORCE MAIN CONNECTION</b>	
DATE APPROVED: MARCH 2017	9.20 - 01